

Enquiry solid wooden drums

Please complete the form within your Acrobat Reader® and send it directly to info@steinnagel.com.

For further information visit our website www.steinnagel.com

Our general terms and conditions apply.

Sender

Company:	<input type="text"/>
Contact person:	<input type="text"/>
Phone number:	<input type="text"/>
Fax number:	<input type="text"/>
E-Mail:	<input type="text"/>
Address:	<input type="text"/>
Place of delivery:	<input type="text"/>

General information

Winding material

Product	<input type="text"/>
---------	----------------------

Drum type	<input type="checkbox"/> Multi-way (solid wood)	<input type="checkbox"/> One-way (solid wood)
-----------	---	---

Drum need	<input type="checkbox"/> non-recurrent need	<input type="checkbox"/> monthly need
	<input type="checkbox"/> annual need	

Services included	<input type="checkbox"/> IPPC symbol, printed on both flange sides
	<input type="checkbox"/> galvanized and stainless steel discs and nails

Additional options

Barcodes Quantity

Barcode miling grooves Quantity
(dimension \varnothing = 110mm, depth = 5mm)

Logo company logo* additional logo*
 company address*
 colour
 colour
 colour
(*two specifications maximum)

Flange finish colour RAL
(only the visible exterior of the flange will be laquered)

Wedges/stacking aid squared timber mounted on the flange

Reinforcements core bars with tongue and groove
 covering planed boards (solid wood)
 galvanized iron tyre (beginning from flange 1500mm)
 core support

Core PVC plywood
 solid wood

Surface planed lath inner flange protection
made of MDF/HDF

Galvanized metal compounds recessed discs self-locking discs

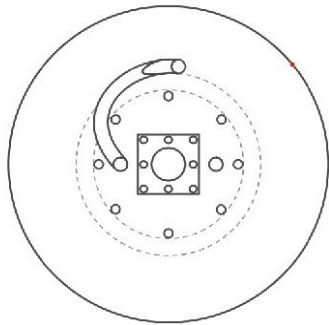
metal plates metal bushes

Supplies wedges (120 x 160 x 250 mm) wedges (100 x 100 x 200mm)
 one-way pallets (600 x 800 mm) one-way pallets (800 x 1200mm)
 one-way pallets with weatherproof outdoor foil

Cable passage options

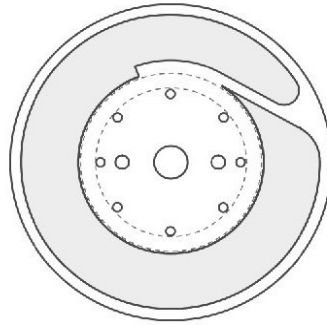
special milling groove

product-specific milling groove, with plastic clips to protect the end pieces



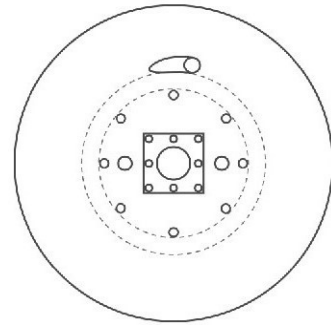
inner cable passage

volute cable routing at the *inside* of the flange



cable passage

banana-shaped groove



Comments

If you have any additional information, note them here, please:

multi-way drums (standard dimensions)

		diameter boards						drill holes Ø											
position	selection	flange	core	flange thickness	middle chaplet	side chaplet	inner cable passage	core bars groove width	central borehole	drive hole	cable passage	distance bet. D and C	winding width	overall width	threaded rods		metal plate socket	squared timber	quantity
		d1	d2	K	K1	K2	K3	G	C	D	F	I	L2	L1	M/St.			Ka	St.
1	☐	400	200	36				22	56	30	-	60	360	432	10	3			☐
2	☐	500	250	36				22	56	30	-	80	360	432	10	3			☐
3	☐	600	250	36				22	56	30	40	80	360	432	10	3			☐
4	☐	710	355	36				22	85	30	40	100	400	472	10	4			☐
5	☐	800	400	36				22	85	40	40	100	400	472	10	4			☐
6	☐	900	450	44				22	85	50	40	160	560	648	10	4			☐
7	☐	1000	500	44				22	85	50	50	160	560	648	10	4			☐
8	☐	1200	630	50				27	85	65	60	160	710	810	12	4			☐
9	☐	1400	700	68				27	85	65	60	300	710	846	16	4			☐
10	☐	1500	800	68				38	85	65	60	300	710	846	16	4			☐
11	☐	1600	800	68				38	85	65	60	300	900	1036	16	6			☐
12	☐	1800	1000	68	44			38	100	65	80	300	900	1036	16	6			☐
13	☐	2000	1200	68	44			38	100	65	80	300	900	1036	16	8			☐
14	☐	2200	1200	68	44			38	125	65	80	300	1100	1236	20	6			☐
15	☐	2400	1400	76	44			38	125	65	120	300	1210	1362	20	8			☐
16	☐	2500	1600	76	44			50	125	65	120	600	1250	1402	20	10			☐
17	☐	2600	1600	90	44			50	140	65	120	600	1250	1430	20	10			☐
18	☐	2800	1800	100	44			50	140	65	120	600	1400	1600	20	12			☐
19	☐	3000	2000	120	44			50	140	65	120	600	1400	1640	20	12			☐

one-way drums (standard dimensions)

		diameter boards						drill holes Ø										
position	selection	flange	core	flange thickness	middle chaplet	side chaplet	inner cable passage	core bars roove width	central borehole	drive hole	capble passage	distance bet. D and C	winding width	overall width	threaded rods	metal plate socket	squared timber	quantity
		d1	d2	K	K1	K2	K3	G	C	D	F	I	L2	L1	M/St.		Ka	St.
1	<input type="checkbox"/>	400	150	20				14	56	20		85	405	445	6	3		<input type="checkbox"/>
2	<input type="checkbox"/>	500	150	20				14	56	20		85	405	445	6	3		<input type="checkbox"/>
3	<input type="checkbox"/>	600	250	30				22	56	30	40	80	360	420	10	3		<input type="checkbox"/>
4	<input type="checkbox"/>	710	355	30				22	85	30	40	100	400	460	10	4		<input type="checkbox"/>
5	<input type="checkbox"/>	800	400	30				22	85	40	40	100	400	460	10	4		<input type="checkbox"/>
6	<input type="checkbox"/>	900	450	30				22	85	50	40	160	560	620	10	4		<input type="checkbox"/>
7	<input type="checkbox"/>	1000	500	36				22	85	50	50	160	560	632	10	4		<input type="checkbox"/>
8	<input type="checkbox"/>	1200	630	44				22	85	65	60	160	710	798	12	4		<input type="checkbox"/>
9	<input type="checkbox"/>	1400	700	50				27	85	65	60	300	710	810	12	6		<input type="checkbox"/>
10	<input type="checkbox"/>	1500	800	50				27	85	65	60	300	710	810	12	6		<input type="checkbox"/>
11	<input type="checkbox"/>	1600	800	50				27	85	65	60	300	900	1000	16	4		<input type="checkbox"/>
12	<input type="checkbox"/>	1800	1000	60				38	100	65	80	300	900	1020	16	6		<input type="checkbox"/>
13	<input type="checkbox"/>	2000	1200	60				38	100	65	80	300	900	1020	16	6		<input type="checkbox"/>
14	<input type="checkbox"/>	2200	1200	60				38	125	65	80	300	1100	1220	16	8		<input type="checkbox"/>
15	<input type="checkbox"/>	2400	1400	68				38	125	65	120	300	1210	1346	20	6		<input type="checkbox"/>
16	<input type="checkbox"/>	2500	1600	68				50	125	65	120	600	1250	1386	20	8		<input type="checkbox"/>
17	<input type="checkbox"/>	2600	1600	76				50	140	65	120	600	1250	1402	20	8		<input type="checkbox"/>
18	<input type="checkbox"/>	2800	1800	76				50	140	65	120	600	1400	1552	20	10		<input type="checkbox"/>
19	<input type="checkbox"/>	3000	2000	100				50	140	65	120	600	1400	1600	20	10		<input type="checkbox"/>

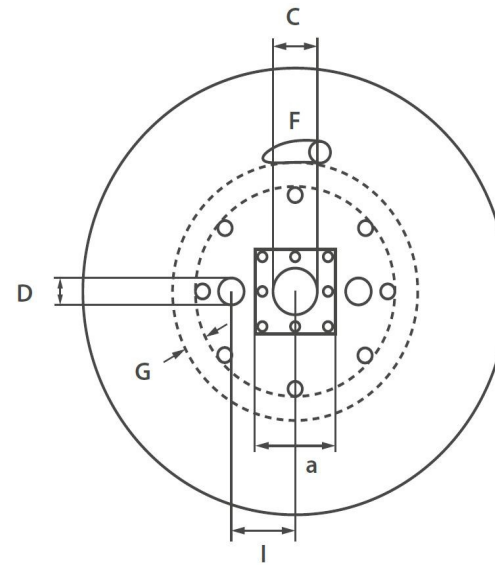
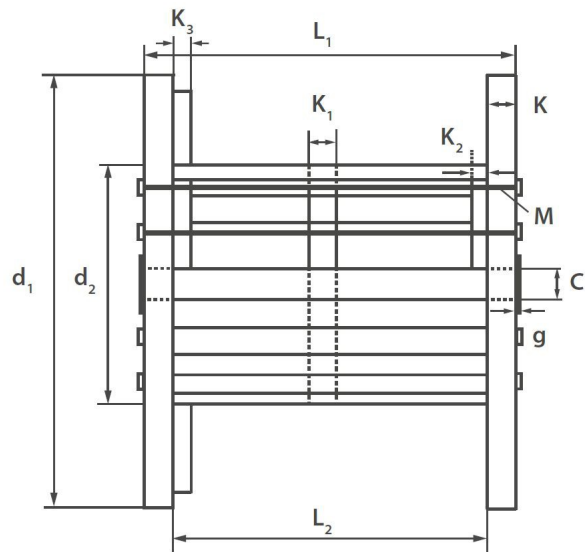
One-way or multi-way solid wooden drums (special deminations)

Complete the following table, please.

The following components are optional:

K1 = middle chaplet K2 = side chaplet K3 = inner cable passage a = metal plate with socket Ka = squared timber

All dimensions are indicated in millimetre (mm).



type		diameter boards						drill holes Ø										
one-way drums	multi-way drums	flange	core	flange thickness	middle chaplet	Side chaplet	inner cable passage	core bars groove width	central borehole	drive hole	cable passage	distance bet. D and C	winding width	overall width	threaded rods	metal plate socket	squared timber	quantity
		d1	d2	κ	K1	K2	K3	G	C	D	F	I	L2	L1	M/St.		Ka	St.
<input type="checkbox"/>	<input type="checkbox"/>	<input type="text"/>	<input type="text"/>	<input type="text"/>	<input type="checkbox"/>	<input type="checkbox"/>	<input type="checkbox"/>	<input type="text"/>	<input type="text"/>	<input type="text"/>	<input type="text"/>	<input type="text"/>	<input type="text"/>	<input type="text"/>	<input type="text"/>	<input type="checkbox"/>	<input type="text"/>	<input type="text"/>
<input type="checkbox"/>	<input type="checkbox"/>	<input type="text"/>	<input type="text"/>	<input type="text"/>	<input type="checkbox"/>	<input type="checkbox"/>	<input type="checkbox"/>	<input type="text"/>	<input type="text"/>	<input type="text"/>	<input type="text"/>	<input type="text"/>	<input type="text"/>	<input type="text"/>	<input type="text"/>	<input type="checkbox"/>	<input type="text"/>	<input type="text"/>
<input type="checkbox"/>	<input type="checkbox"/>	<input type="text"/>	<input type="text"/>	<input type="text"/>	<input type="checkbox"/>	<input type="checkbox"/>	<input type="checkbox"/>	<input type="text"/>	<input type="text"/>	<input type="text"/>	<input type="text"/>	<input type="text"/>	<input type="text"/>	<input type="text"/>	<input type="text"/>	<input type="checkbox"/>	<input type="text"/>	<input type="text"/>
<input type="checkbox"/>	<input type="checkbox"/>	<input type="text"/>	<input type="text"/>	<input type="text"/>	<input type="checkbox"/>	<input type="checkbox"/>	<input type="checkbox"/>	<input type="text"/>	<input type="text"/>	<input type="text"/>	<input type="text"/>	<input type="text"/>	<input type="text"/>	<input type="text"/>	<input type="text"/>	<input type="checkbox"/>	<input type="text"/>	<input type="text"/>
<input type="checkbox"/>	<input type="checkbox"/>	<input type="text"/>	<input type="text"/>	<input type="text"/>	<input type="checkbox"/>	<input type="checkbox"/>	<input type="checkbox"/>	<input type="text"/>	<input type="text"/>	<input type="text"/>	<input type="text"/>	<input type="text"/>	<input type="text"/>	<input type="text"/>	<input type="text"/>	<input type="checkbox"/>	<input type="text"/>	<input type="text"/>

Social Media

For further information, please visit your website, youtube channel or instagram account:

<http://steinnagel.com/de/>

https://www.youtube.com/watch?v=Z_AWPdyuC9o

<https://www.instagram.com/steinnagelmanufaktur/>