

Enquiry for plywood drums

If you are interested in our FSC-certified drums made from the finest pine and spruce wood, we will gladly prepare you a non-binding and complimentary offer. All drums are heat-treated according to the IPPC standard, ISPM No. 15. Please complete the form within your Acrobat Reader, print it and send it to info@steinnagel.com. Our general terms and conditions apply, they can be downloaded here <http://steinnagel.com/de/>

Sender

| | |
|--------------------|----------------------|
| Company: | <input type="text"/> |
| Contact person: | <input type="text"/> |
| Telephone: | <input type="text"/> |
| Fax: | <input type="text"/> |
| E-Mail: | <input type="text"/> |
| Address: | <input type="text"/> |
| Place of delivery: | <input type="text"/> |

General Information

Winding material

| | |
|---------|----------------------|
| Product | <input type="text"/> |
|---------|----------------------|

| | | |
|-----|--|--|
| Typ | <input type="checkbox"/> Multi-way (plywood) | <input type="checkbox"/> One-way (plywood) |
|-----|--|--|

| | | |
|-----------|---|---------------------------------------|
| Drum need | <input type="checkbox"/> Non-recurrent need | <input type="checkbox"/> Monthly need |
| | <input type="checkbox"/> Annual need | |

| | |
|-------------------|---|
| Services included | <input type="checkbox"/> Sprayed dimensions on flange |
|-------------------|---|

Additional options

Barcodes

Standard 2 Spcs. Quantity

Barcode milling grooves

Standard 2 pcs. Quantity

Logo

Company logo Additional logo (max. 2 logos)

Internet adress

Color

Color

Color

(max. 2 colors)

Flange finish

Farbe RAL

(Only the visible outside of the flanges is varnished)

Wedges/Stacking aid

Wood blocks attached to the flange

Reinforcements

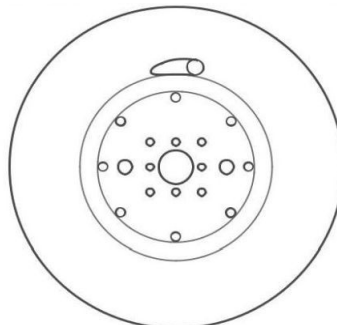
Tongue and groove joint

Shuttering boards
(solid wooden boards)

Iron tyre, galvanized

Cable passage

Banana-shaped groove



Drum core

Cardboard core

Plywood core

Solidwood core

Surface

Planed lath

Flange cladding with MDF

Galvanized metal

Threaded flush mounted plate washers, flush mounted nuts

Metal plates

Metal bushes

Supplies

Wedges (120 x 160 x 250 mm)

Wedges (100 x 100 x200)

One-way pallets (600 x 800 mm)

One-way pallets (800 x1200)

Comments

If you have any additional information please note them here:

| |
|--|
| |
| |
| |
| |
| |
| |
| |
| |
| |
| |
| |
| |
| |
| |
| |
| |
| |
| |
| |

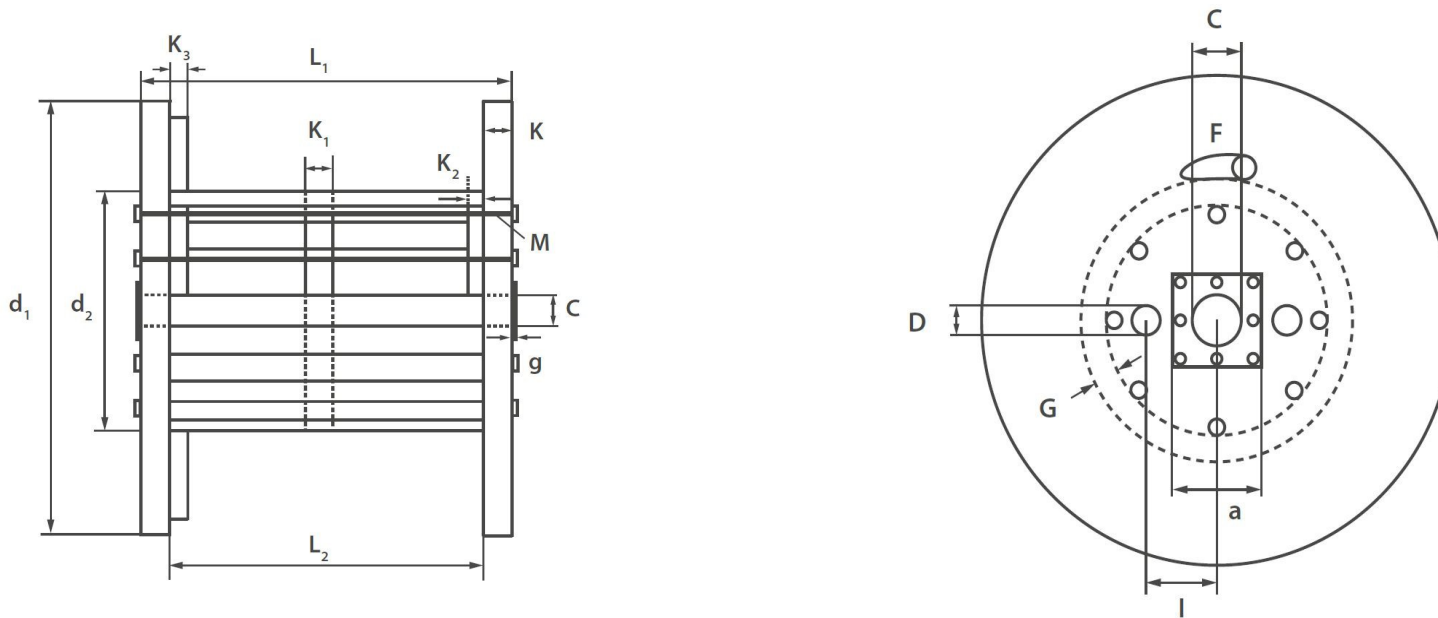
Plywood drums with special sizes

Please complete the following table.

The following components are optional:

K1 = Middle chaplet K2 = Side chaplet K3 = Inner cable passage a = Metal plate with socket Ka = Squared timber

All dimensions are indicated in millimetre (mm)



| Type | | Diameter | | Boards | | | | Bores / Drill holes | | | | | | | | | | |
|--------------------------|--------------------------|----------------------|----------------------|----------------------|--------------------------|--------------------------|--------------------------|------------------------|----------------------|----------------------|----------------------|-----------------------|----------------------|----------------------|----------------------|--------------------------|----------------------|----------------------|
| One-way drums | Multi-way drums | Flanges | Core | Flanges thickness | Middle core support | Lateral core support | Inner cable passage | Core bars groove width | Central bore | Drive hole | Cable passage | Distance bet, D and C | Winding width | Overall width | Threaded rods | Metal plate with socket | Squared timber | Quantity |
| | | d1 | d2 | K | K1 | K2 | K3 | G | C | D | F | I | L2 | L1 | M/St. | a | Ka | Pcs. |
| <input type="checkbox"/> | <input type="checkbox"/> | <input type="text"/> | <input type="text"/> | <input type="text"/> | <input type="checkbox"/> | <input type="checkbox"/> | <input type="checkbox"/> | <input type="text"/> | <input type="text"/> | <input type="text"/> | <input type="text"/> | <input type="text"/> | <input type="text"/> | <input type="text"/> | <input type="text"/> | <input type="checkbox"/> | <input type="text"/> | <input type="text"/> |
| <input type="checkbox"/> | <input type="checkbox"/> | <input type="text"/> | <input type="text"/> | <input type="text"/> | <input type="checkbox"/> | <input type="checkbox"/> | <input type="checkbox"/> | <input type="text"/> | <input type="text"/> | <input type="text"/> | <input type="text"/> | <input type="text"/> | <input type="text"/> | <input type="text"/> | <input type="text"/> | <input type="checkbox"/> | <input type="text"/> | <input type="text"/> |
| <input type="checkbox"/> | <input type="checkbox"/> | <input type="text"/> | <input type="text"/> | <input type="text"/> | <input type="checkbox"/> | <input type="checkbox"/> | <input type="checkbox"/> | <input type="text"/> | <input type="text"/> | <input type="text"/> | <input type="text"/> | <input type="text"/> | <input type="text"/> | <input type="text"/> | <input type="text"/> | <input type="checkbox"/> | <input type="text"/> | <input type="text"/> |
| <input type="checkbox"/> | <input type="checkbox"/> | <input type="text"/> | <input type="text"/> | <input type="text"/> | <input type="checkbox"/> | <input type="checkbox"/> | <input type="checkbox"/> | <input type="text"/> | <input type="text"/> | <input type="text"/> | <input type="text"/> | <input type="text"/> | <input type="text"/> | <input type="text"/> | <input type="text"/> | <input type="checkbox"/> | <input type="text"/> | <input type="text"/> |
| <input type="checkbox"/> | <input type="checkbox"/> | <input type="text"/> | <input type="text"/> | <input type="text"/> | <input type="checkbox"/> | <input type="checkbox"/> | <input type="checkbox"/> | <input type="text"/> | <input type="text"/> | <input type="text"/> | <input type="text"/> | <input type="text"/> | <input type="text"/> | <input type="text"/> | <input type="text"/> | <input type="checkbox"/> | <input type="text"/> | <input type="text"/> |

Social Media

Please visit our website or our Youtube channel for further information:

<http://steinnagel.com/de/>

https://www.youtube.com/watch?v=Z_AWPdyuC9o