

Enquiry

If you are interested in our FSC-certified drums made from the finest pine and spruce wood, we will gladly prepare you a non-binding and complimentary offer. All drums are heat-treated according to the IPPC standard, ISPM No. 15.

Please complete the form within your Acrobat Reader, print it and send it to info@steinnagel.com. Our general terms and conditions apply, they can be downloaded here www.steinnagel.com.

Sender

Company _____

Contact person _____

Telephone _____

Fax _____

E-Mail _____

Address _____

Place of delivery _____

General information

Winding material Product _____

Type Multi-way (solid wood) One-way (solid wood)

Drum need Non-recurrent need Monthly need
 Annual need

Services included IPPC symbol, burnt in
 Sprayed dimensions on flange

Additional options

Barcodes Standard _____ 2 pc. Quantity _____

Barcode milling grooves Standard* _____ 2 pc. Quantity _____

(*Included in the price, dimensions: $\varnothing = 110$ mm, depth = 5 mm.)

Logo Company logo* Additional logo*
 Internet address* Colour _____
 Colour _____ Colour _____

(*Max. two specifications.)

Flange finish

Colour _____ RAL _____

(Nur die sichtbare Außenseite der Flansch wird lackiert.)

Wedges/Stacking aid

Squared timber mounted on the flange

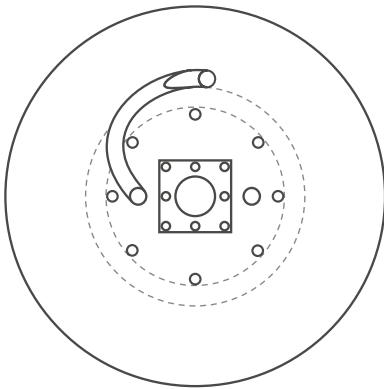
Reinforcements

Boarding (solid wood boards)
 Iron tyre, galvanized

Cable passage

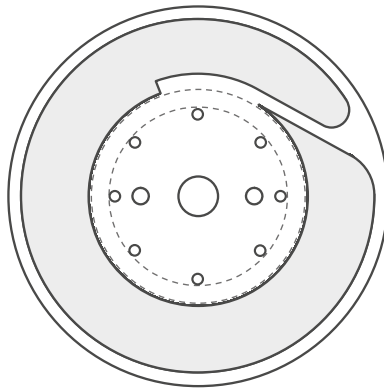
Special milling groove

Product-specific milling groove, with plastic clips to protect the end pieces.



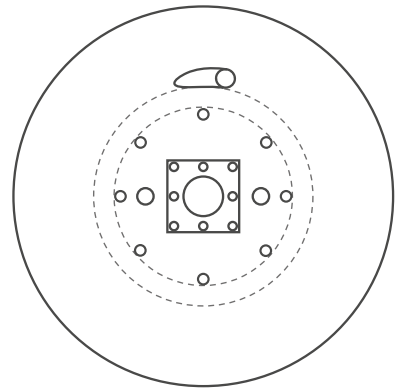
Inner cable passage

Volute cable routing at the *inside* of the flange.



Cable passage

Banana-shaped groove.



Surface

Planed lath Plane everything
 Flange cladding with HDF Flange cladding with MDF
 Plastic core (PVC) Plywood core

Galvanized metal compounds

Threaded rods, nails, flush mounted plate washers, flush mounted nuts
 Metal plates Metal bushes

Supplies

Wedges (120 x 160 x 250 mm) Wedges (100 x 100 x 200 mm)
 One-way pallets (600 x 800 mm) One-way pallets (800 x 1200 mm)

Comments

If you have any additional information regarding your enquiry, please note them here:

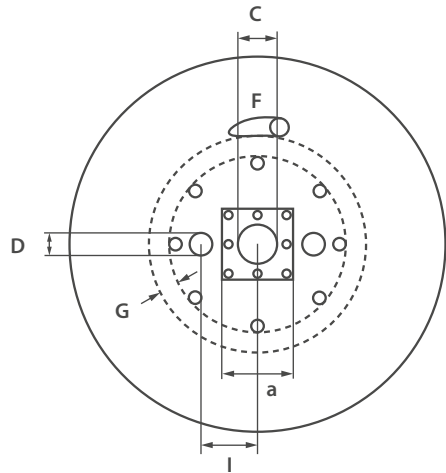
Multi-way drums (standard dimensions)

Please complete the following table.

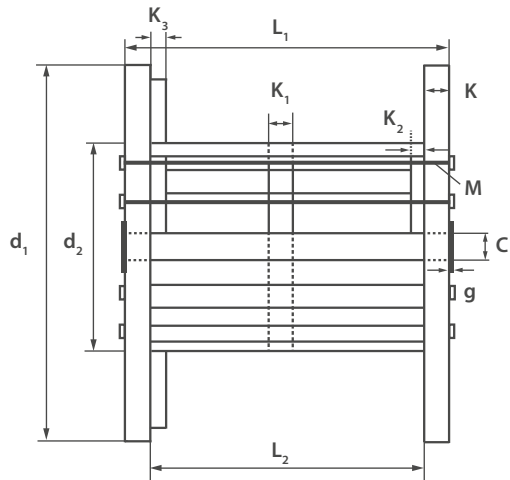
The following components are optional:

K_1 - Middle chaplet · K_2 - Side chaplet · K_3 - Inner cable passage · a - Metal plate with socket · Ka - Squared timber

All dimensions are indicated in millimetre (mm).



front view



side view

Selection	Spool type	Diameter		Boards					Drill holes ϕ			Distance bet. D and C	Winding width	Overall width	Threaded rods	Metal plate with socket	Squared timber	Quantity	
		Flange	Core	Flange thickness	Middle chaplet	Side chaplet	Inner cable passage	Core bars groove width	Central bore	Drive hole	Cable passage								M/pc.
		d_1	d_2	K	K_1	K_2	K_3	G	C	D	F	I	L_2	L_1					
<input type="checkbox"/>	4	400	150	20	<input type="checkbox"/>	<input type="checkbox"/>	<input type="checkbox"/>	14	56	20	-	85	405	450	6/3	-	<input type="checkbox"/>	60x120	
<input type="checkbox"/>	5	500	150	20	<input type="checkbox"/>	<input type="checkbox"/>	<input type="checkbox"/>	14	56	20	-	85	405	450	6/3	-	<input type="checkbox"/>	60x120	
<input type="checkbox"/>	6	600	250	36	<input type="checkbox"/>	<input type="checkbox"/>	<input type="checkbox"/>	22	85	30	30	100	400	480	10/4	-	<input type="checkbox"/>	60x120	
<input type="checkbox"/>	7	710	355	36	<input type="checkbox"/>	<input type="checkbox"/>	<input type="checkbox"/>	22	85	30	40	100	400	480	10/4	-	<input type="checkbox"/>	80x120	
<input type="checkbox"/>	8	800	400	36	<input type="checkbox"/>	<input type="checkbox"/>	<input type="checkbox"/>	22	85	40	40	100	400	480	10/4	<input type="checkbox"/>	200x200x3	<input type="checkbox"/>	80x120
<input type="checkbox"/>	9	900	450	36	<input type="checkbox"/>	<input type="checkbox"/>	<input type="checkbox"/>	22	85	50	50	160	560	650	10/4	<input type="checkbox"/>	200x200x3	<input type="checkbox"/>	80x120
<input type="checkbox"/>	10	1000	500	36	<input type="checkbox"/>	<input type="checkbox"/>	<input type="checkbox"/>	22	85	50	50	160	560	650	10/4	<input type="checkbox"/>	200x200x3	<input type="checkbox"/>	100x120
<input type="checkbox"/>	12	1250	630	44	<input type="checkbox"/>	<input type="checkbox"/>	<input type="checkbox"/>	22	85	65	60	160	710	800	12/4	<input type="checkbox"/>	200x200x3	<input type="checkbox"/>	100x120
<input type="checkbox"/>	14	1400	700	64	<input type="checkbox"/>	<input type="checkbox"/>	<input type="checkbox"/>	27	85	65	65	300	710	850	16/4	<input type="checkbox"/>	200x200x3	<input type="checkbox"/>	100x120
<input type="checkbox"/>	15	1500	800	64	<input type="checkbox"/>	<input type="checkbox"/>	<input type="checkbox"/>	27	85	65	65	300	710	850	16/4	<input type="checkbox"/>	200x200x3	<input type="checkbox"/>	100x120
<input type="checkbox"/>	16	1600	800	64	<input type="checkbox"/>	<input type="checkbox"/>	<input type="checkbox"/>	27	85	65	80	300	900	1040	16/4	<input type="checkbox"/>	200x200x3	<input type="checkbox"/>	100x120
<input type="checkbox"/>	18	1800	1000	64	<input type="checkbox"/>	<input type="checkbox"/>	<input type="checkbox"/>	32	100	65	80	300	900	1080	16/6	<input type="checkbox"/>	300x300x6	<input type="checkbox"/>	120x120
<input type="checkbox"/>	20	2000	1200	76	<input type="checkbox"/>	<input type="checkbox"/>	<input type="checkbox"/>	32	100	65	100	300	900	1100	16/6	<input type="checkbox"/>	300x300x6	<input type="checkbox"/>	120x120
<input type="checkbox"/>	22	2200	1200	90	<input type="checkbox"/>	<input type="checkbox"/>	<input type="checkbox"/>	38	125	65	120	300	1100	1340	20/8	<input type="checkbox"/>	300x300x6	<input type="checkbox"/>	120x120
<input type="checkbox"/>	24	2400	1400	90	<input type="checkbox"/>	<input type="checkbox"/>	<input type="checkbox"/>	38	125	65	130	600	1210	1450	20/8	<input type="checkbox"/>	300x300x6	<input type="checkbox"/>	120x120
<input type="checkbox"/>	25	2500	1600	100	<input type="checkbox"/>	<input type="checkbox"/>	<input type="checkbox"/>	38	125	65	130	600	1250	1510	20/8	<input type="checkbox"/>	300x300x6	<input type="checkbox"/>	120x120

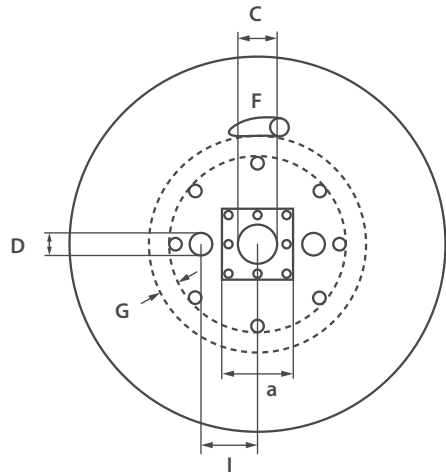
One-way drums (standard dimensions)

Please complete the following table.

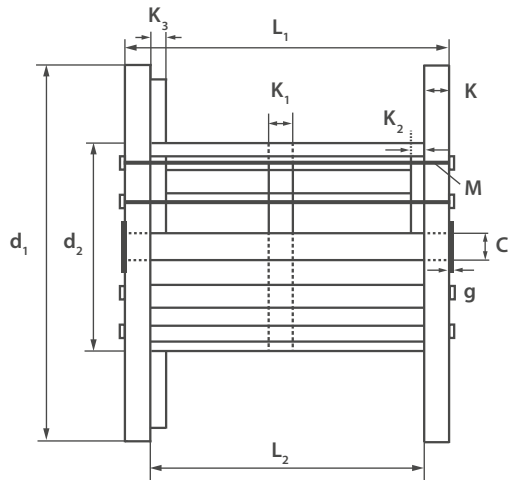
The following components are optional:

K_1 - Middle chaplet · K_2 - Side chaplet · K_3 - Inner cable passage · a - Metal plate with socket · Ka - Squared timber

All dimensions are indicated in millimetre (mm).



front view



side view

Selection	Spool type	Diameter		Boards					Drill holes ϕ			Distance bet. D and C	Winding width	Overall width	Threaded rods	Metal plate with socket	Squared timber	Quantity
		Flange	Core	Flange thickness	Middle chaplet	Side chaplet	Inner cable passage	Core bars groove width	Central bore	Drive hole	Cable passage							
		d_1	d_2	K	K_1	K_2	K_3	G	C	D	F	I	L_2	L_1	M/pc.	a	Ka	pc.
<input type="checkbox"/>	4	400	150	20	<input type="checkbox"/>	<input type="checkbox"/>	<input type="checkbox"/>	14	56	20	-	85	405	450	6/3	-	<input type="checkbox"/> 60x120	
<input type="checkbox"/>	5	500	150	20	<input type="checkbox"/>	<input type="checkbox"/>	<input type="checkbox"/>	14	56	20	-	85	405	450	6/3	-	<input type="checkbox"/> 60x120	
<input type="checkbox"/>	6	600	250	30	<input type="checkbox"/>	<input type="checkbox"/>	<input type="checkbox"/>	22	56	30	40	80	360	420	10/3	-	<input type="checkbox"/> 60x120	
<input type="checkbox"/>	7	710	355	30	<input type="checkbox"/>	<input type="checkbox"/>	<input type="checkbox"/>	22	85	30	40	100	400	460	10/4	-	<input type="checkbox"/> 80x120	
<input type="checkbox"/>	8	800	400	30	<input type="checkbox"/>	<input type="checkbox"/>	<input type="checkbox"/>	22	85	40	40	100	400	460	10/4	<input type="checkbox"/> 200x200x3	<input type="checkbox"/> 80x120	
<input type="checkbox"/>	9	900	450	30	<input type="checkbox"/>	<input type="checkbox"/>	<input type="checkbox"/>	22	85	50	40	160	560	620	10/4	<input type="checkbox"/> 200x200x3	<input type="checkbox"/> 80x120	
<input type="checkbox"/>	10	1000	500	36	<input type="checkbox"/>	<input type="checkbox"/>	<input type="checkbox"/>	22	85	50	50	160	560	632	10/4	<input type="checkbox"/> 200x200x3	<input type="checkbox"/> 100x120	
<input type="checkbox"/>	12	1200	630	44	<input type="checkbox"/>	<input type="checkbox"/>	<input type="checkbox"/>	22	85	65	60	160	710	798	12/4	<input type="checkbox"/> 200x200x3	<input type="checkbox"/> 100x120	
<input type="checkbox"/>	14	1400	700	64	<input type="checkbox"/>	<input type="checkbox"/>	<input type="checkbox"/>	27	85	65	60	300	710	838	16/4	<input type="checkbox"/> 200x200x3	<input type="checkbox"/> 100x120	
<input type="checkbox"/>	16	1600	800	64	<input type="checkbox"/>	<input type="checkbox"/>	<input type="checkbox"/>	27	85	65	60	300	900	1028	16/4	<input type="checkbox"/> 200x200x3	<input type="checkbox"/> 100x120	
<input type="checkbox"/>	18	1800	1000	64	<input type="checkbox"/>	<input type="checkbox"/>	<input type="checkbox"/>	38	100	65	80	300	900	1028	16/6	<input type="checkbox"/> 300x300x6	<input type="checkbox"/> 120x120	
<input type="checkbox"/>	20	2000	1200	76	<input type="checkbox"/>	<input type="checkbox"/>	<input type="checkbox"/>	38	100	65	120	300	900	1052	16/6	<input type="checkbox"/> 300x300x6	<input type="checkbox"/> 120x120	
<input type="checkbox"/>	22	2200	1200	76	<input type="checkbox"/>	<input type="checkbox"/>	<input type="checkbox"/>	38	125	65	120	300	1100	1252	20/8	<input type="checkbox"/> 300x300x6	<input type="checkbox"/> 120x120	
<input type="checkbox"/>	24	2400	1400	76	<input type="checkbox"/>	<input type="checkbox"/>	<input type="checkbox"/>	38	125	65	120	300	1210	1362	20/8	<input type="checkbox"/> 300x300x6	<input type="checkbox"/> 120x120	
<input type="checkbox"/>	25	2500	1600	76	<input type="checkbox"/>	<input type="checkbox"/>	<input type="checkbox"/>	38	125	65	120	600	1250	1402	20/8	<input type="checkbox"/> 300x300x6	<input type="checkbox"/> 120x120	

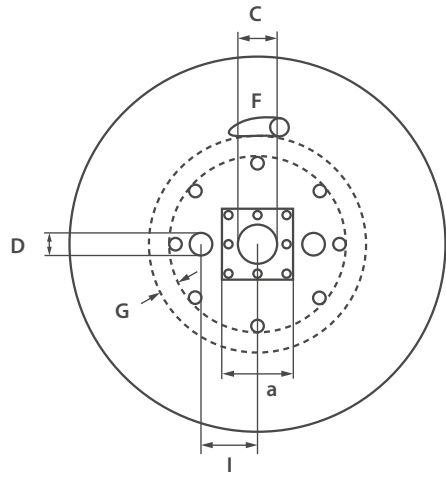
Special dimensions (one- and multi-way drums)

Please complete the following table.

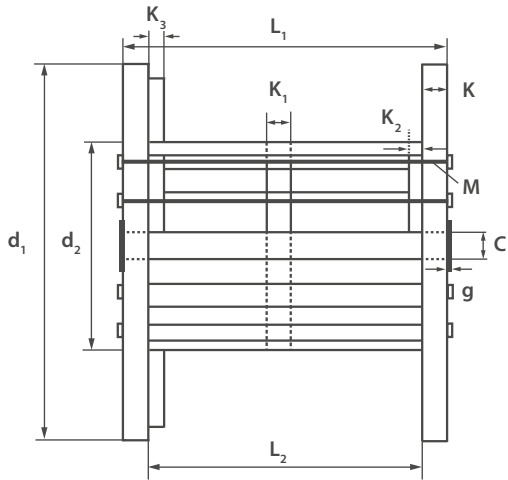
The following components are optional:

K_1 - Middle chaplet · K_2 - Side chaplet · K_3 - Inner cable passage · a - Metal plate with socket · Ka - Squared timber

All dimensions are indicated in millimetre (mm).



front view



side view

		Diameter		Boards				Drill holes \varnothing										
One-way drums	Multi-way drums	Flange	Core	Flange thickness	Middle chaplet	Side chaplet	Inner cable passage	Core bars groove width	Central bore	Drive hole	Cable passage	Distance bet. D and C	Winding width	Overall width	Threaded rods	Metal plate with socket	Squared timber	Quantity
		d_1	d_2	K	K_1	K_2	K_3	G	C	D	F	I	L_2	L_1	M/pc.	a	Ka	pc.
<input type="checkbox"/>	<input type="checkbox"/>				<input type="checkbox"/>	<input type="checkbox"/>	<input type="checkbox"/>								<input type="checkbox"/>		<input type="checkbox"/>	
<input type="checkbox"/>	<input type="checkbox"/>				<input type="checkbox"/>	<input type="checkbox"/>	<input type="checkbox"/>								<input type="checkbox"/>		<input type="checkbox"/>	
<input type="checkbox"/>	<input type="checkbox"/>				<input type="checkbox"/>	<input type="checkbox"/>	<input type="checkbox"/>								<input type="checkbox"/>		<input type="checkbox"/>	
<input type="checkbox"/>	<input type="checkbox"/>				<input type="checkbox"/>	<input type="checkbox"/>	<input type="checkbox"/>								<input type="checkbox"/>		<input type="checkbox"/>	
<input type="checkbox"/>	<input type="checkbox"/>				<input type="checkbox"/>	<input type="checkbox"/>	<input type="checkbox"/>								<input type="checkbox"/>		<input type="checkbox"/>	
<input type="checkbox"/>	<input type="checkbox"/>				<input type="checkbox"/>	<input type="checkbox"/>	<input type="checkbox"/>								<input type="checkbox"/>		<input type="checkbox"/>	
<input type="checkbox"/>	<input type="checkbox"/>				<input type="checkbox"/>	<input type="checkbox"/>	<input type="checkbox"/>								<input type="checkbox"/>		<input type="checkbox"/>	
<input type="checkbox"/>	<input type="checkbox"/>				<input type="checkbox"/>	<input type="checkbox"/>	<input type="checkbox"/>								<input type="checkbox"/>		<input type="checkbox"/>	
<input type="checkbox"/>	<input type="checkbox"/>				<input type="checkbox"/>	<input type="checkbox"/>	<input type="checkbox"/>								<input type="checkbox"/>		<input type="checkbox"/>	
<input type="checkbox"/>	<input type="checkbox"/>				<input type="checkbox"/>	<input type="checkbox"/>	<input type="checkbox"/>								<input type="checkbox"/>		<input type="checkbox"/>	
<input type="checkbox"/>	<input type="checkbox"/>				<input type="checkbox"/>	<input type="checkbox"/>	<input type="checkbox"/>								<input type="checkbox"/>		<input type="checkbox"/>	
<input type="checkbox"/>	<input type="checkbox"/>				<input type="checkbox"/>	<input type="checkbox"/>	<input type="checkbox"/>								<input type="checkbox"/>		<input type="checkbox"/>	